

CSD 300 II

Front Facing Twin Spindle Lathe

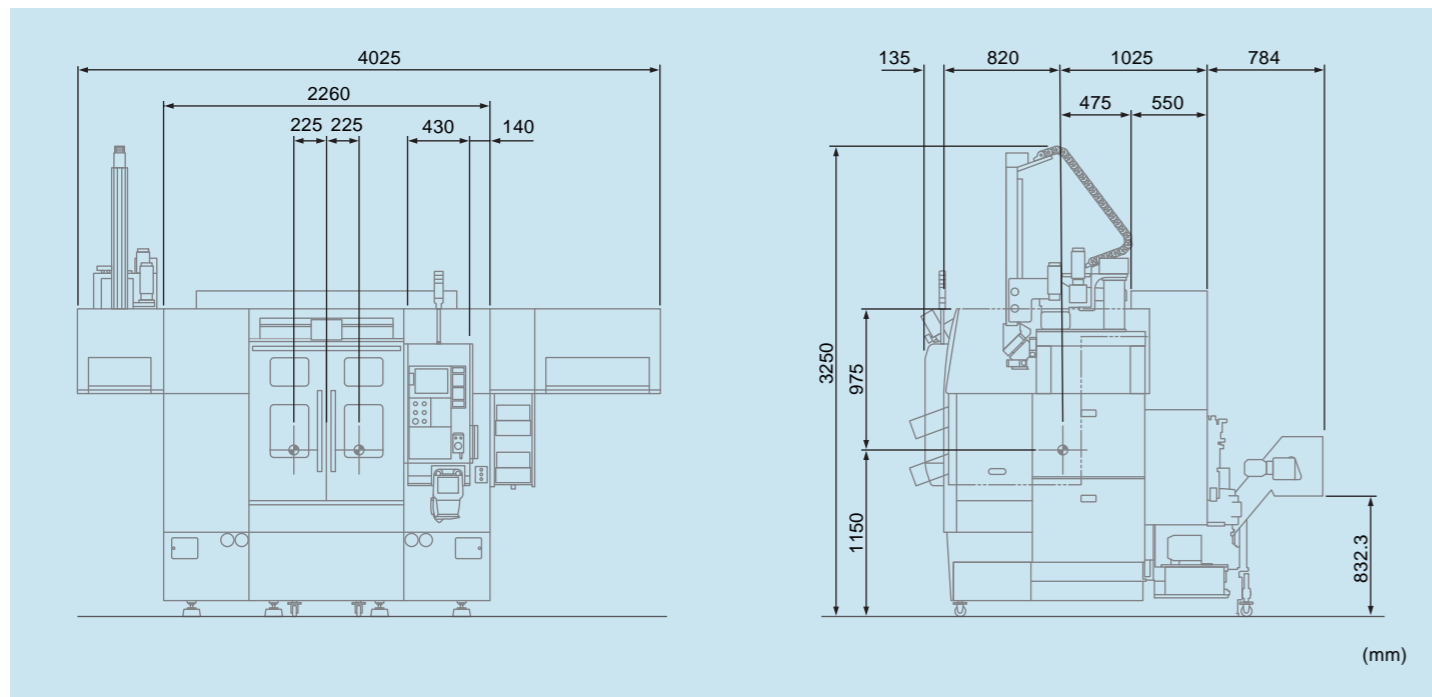


Specifications

Machine Specifications			
Recommended work size		mm	φ200 x 100
Max swing dia		mm	φ310
Spindle dia		mm	φ100
Spindle nose			A2-6
Spindle bore		mm	φ56
Spindle speed		min ⁻¹	Max. 4000
Spindle motor		kw [hp]	7.5 / 11 [10 / 15]
Number of tool stations			10
Chuck size		inch	8 ~ 10
Slide stroke	X-axis	mm	140
	Z-axis	mm	200
Rapid traverse	X-axis	m / min	24
	Z-axis	m / min	24
Feed setup unit	X-axis	mm	0.001
	Z-axis	mm	0.001
Feed motor	X-axis	kw	1.2
	Z-axis	kw	1.2
CNC control			FANUC Oi-TF
Power capacity		KVA	50
Robot Specifications			
Robot type			LX-30H II
Max. Carrying capacity		kg	5 + 5
Robot controller			FANUC
Machine Size			
Footprint		mm x mm	2260 x 1980
Machine height [with Robot]		mm	3250
Machine weight [with Robot]		kg	5500



Machine Overview



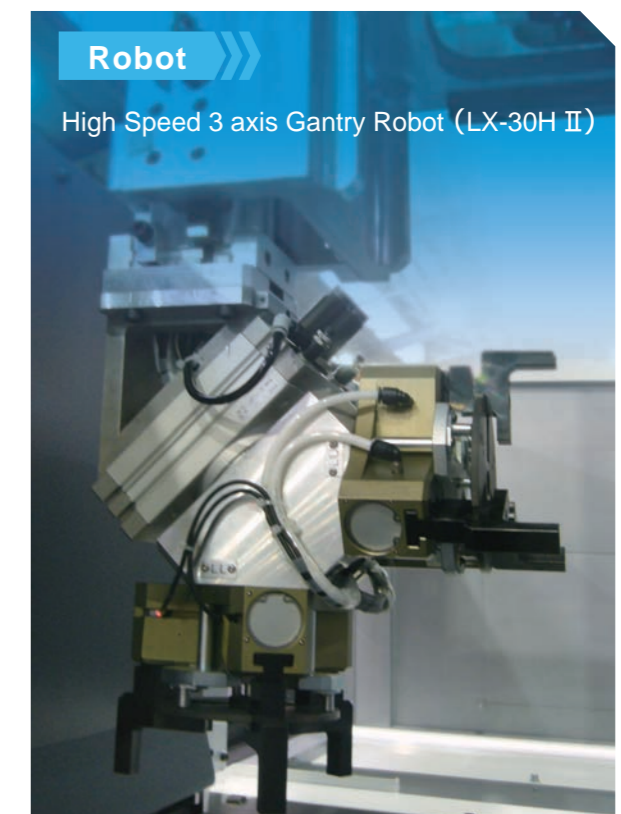
■ Specifications are subject to change without notice.
■ The photos include options.

Total Cycle Time reduced by 15%

Improved Bed design increases rigidity

Improved HMI boosts operator friendly system

Easy Connection to IoT system



FUJI CORPORATION

Machine Tools Div. HQ/Plant
Address : 480 Tojiri, Hasama-cho, Toyota, Aichi 470-0452 Japan
Phone : +81(565)76-5485 Fax : +81(565)76-5704



<https://www.fuji.co.jp/en/>
201909_CSD300II_fi_A3_E_00

Speed Innovation

~ New Developed Design ~

Improved equipment with increased rigidity to improve cycle times and quality.

- NC Version Upgrade

- Operating efficiency improved by software version Upgrade

- Turret Index Time
0.29 sec → 0.19 sec

- Robot Cycle Time
21.2 sec → 17.9 sec

- Loading time
5.8 sec → 4.8 sec

- High Rigidity by optimized bed design
Max. Grooving Width
12 mm → 14mm

*According to our prescribed conditions

IoT

~ Easy Connection to IoT ~

- Easy connection to ETHERNET/IP and various network systems
HUB Port, Standard equipment

- Connect to LAPSYS

Please refer to LAPSYS flier



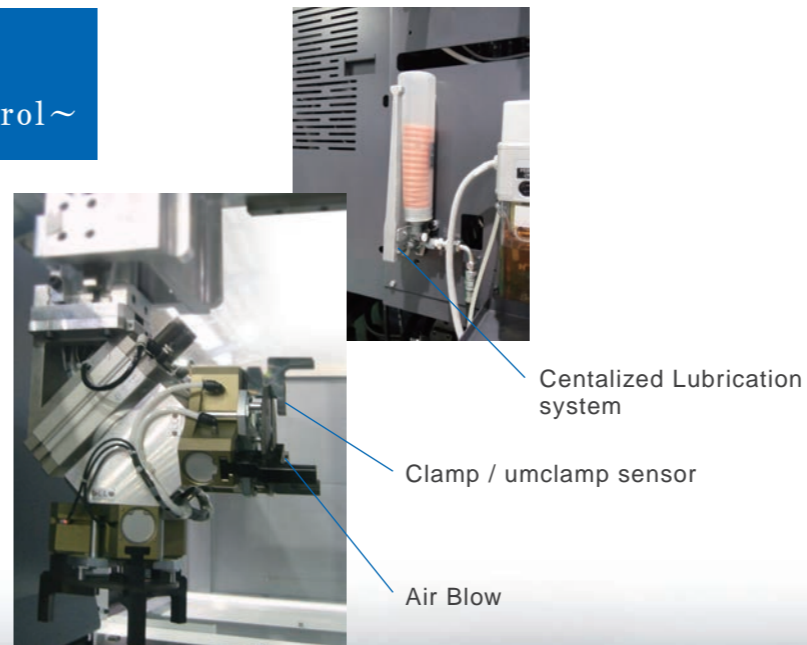
Upgrade Point

~ New Designed Robot by FANUC Control ~

- Clamp / Unclapm switch for Robot chuck, Standard equipment

- Air blow from Robot, Standard equipment

- Centralized Lubrication system for Robot, Standard equipment

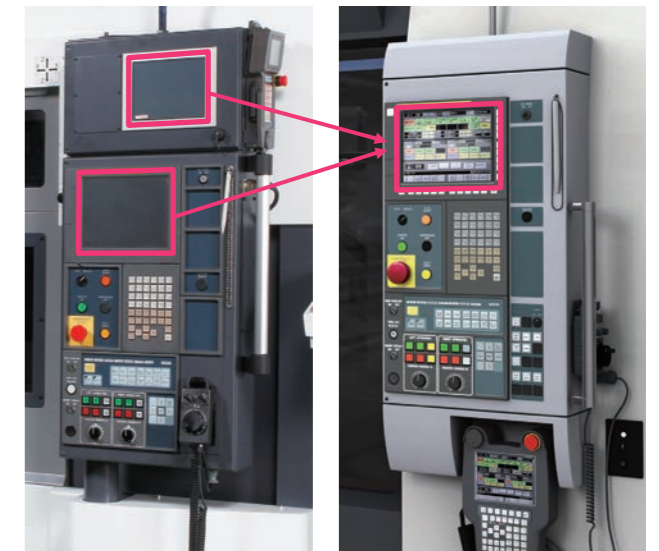


Control Renovation

~ Single Integrated Control System ~

Improved HMI boosts operator friendly system

- Single integrated display for easier operations of machine and robot



CSD300 → CSD300 II

- iPendant enables remote operation of control panel

